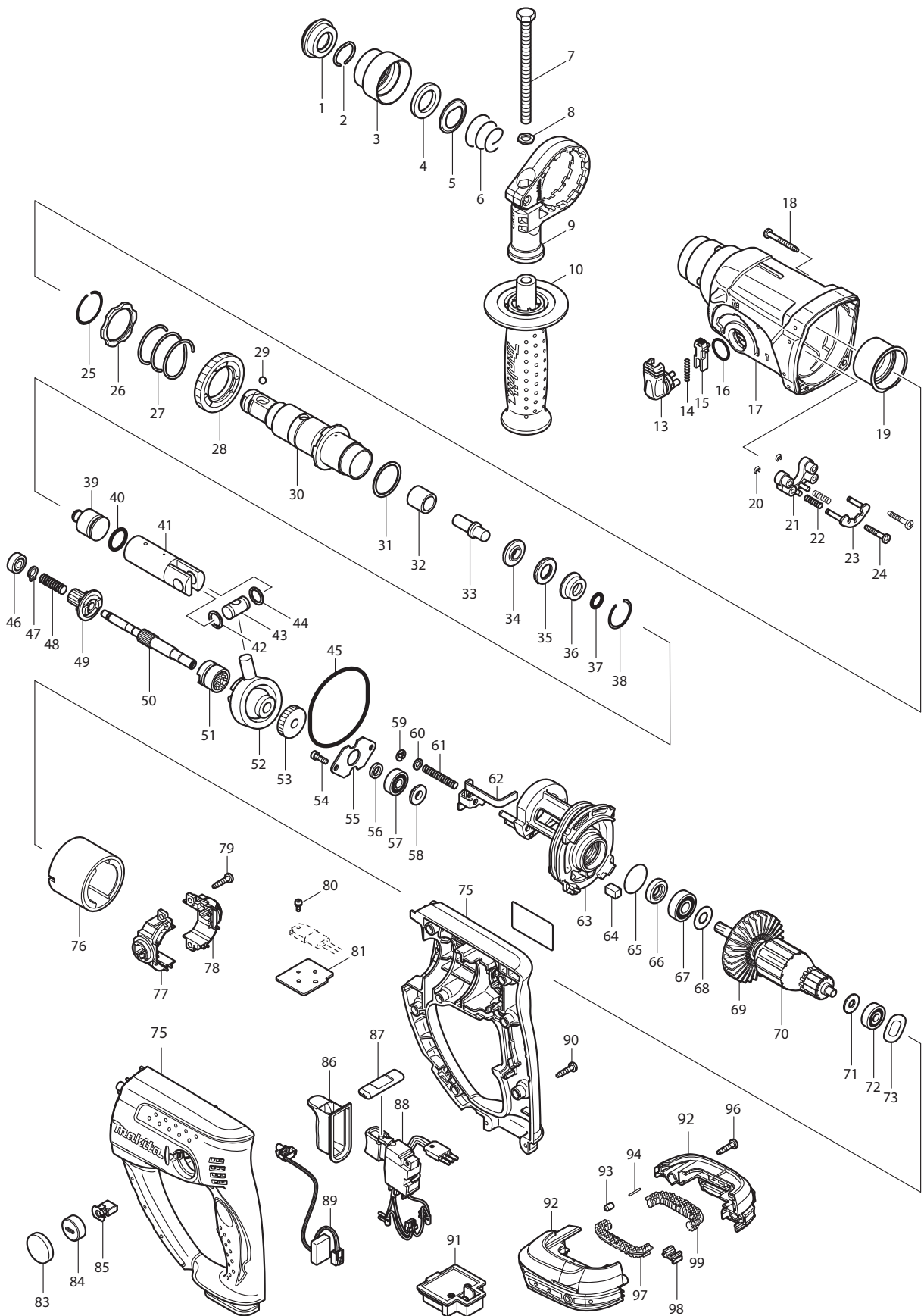




09 - 2011
BHR202 / BHR202Z / BHR202F
18V ROTARY HAMMER



| Item No | Type | Ref | Part No | Description | Qty | Unit |
|---------|------|------|----------|------------------------------|-----|------|
| 1 | | | 286263-4 | CAP 35 | 1 | PC. |
| 2 | | | 233940-9 | RING SPRING 19 | 1 | PC. |
| 3 | | | 417629-9 | CHUCK COVER | 1 | PC. |
| 4 | | | 257241-1 | RING 21 | 1 | PC. |
| 5 | | | 345187-4 | GUIDE WASHER | 1 | PC. |
| 6 | | | 233916-6 | CONICAL COMP. SPRING 21-29 | 1 | PC. |
| 7 | | | 921923-8 | HEX. BOLT M8X120 | 1 | PC. |
| 8 | | | 345280-4 | HEX. WASHER | 1 | PC. |
| 9 | | | 417630-4 | GRIP BASE | 1 | PC. |
| 10 | | | 158057-6 | GRIP 36 COMPLETE | 1 | PC. |
| | | INC. | 931402-8 | HEX. NUT M8 | 1 | PC. |
| 13 | | | 162245-9 | CHANGE LEVER | 1 | PC. |
| 14 | | | 233459-8 | COMPRESSION SPRING 3 | 1 | PC. |
| 15 | | | 419192-8 | LOCK BUTTON | 1 | PC. |
| 16 | | | 213278-8 | O RING 17 | 1 | PC. |
| 17 | | | 158216-2 | GEAR HOUSING COMPLETE | 1 | PC. |
| | 1 | INC. | 213965-9 | OIL SEAL 25 (TYPE 1) | 1 | PC. |
| | 2 | INC. | 213345-9 | OIL SEAL 25 (TYPE 2) | 1 | PC. |
| 18 | | | 266351-3 | TAPPING SCREW 4X35 | 4 | PC. |
| 19 | | | 153290-5 | NEEDLE BEARING COMPLETE | 1 | PC. |
| 20 | | | 961017-7 | STOP RING E-3 | 2 | PC. |
| 21 | | | 417796-0 | GUIDE BASE | 1 | PC. |
| 22 | | | 233344-5 | COMPRESSION SPRING 4 | 2 | PC. |
| 23 | | | 163430-7 | LOCK PLATE COMPLETE | 1 | PC. |
| 24 | | | 266374-1 | TAPPING SCREW 4X25 | 2 | PC. |
| 25 | | | 233929-7 | RING SPRING 29 | 1 | PC. |
| 26 | 1 | | 267791-8 | WASHER 31 | 1 | PC. |
| 26 | 2 | | 267460-1 | WASHER 31 | 1 | PC. |
| 27 | | | 233401-9 | COMPRESSION SPRING 32 | 1 | PC. |
| 28 | | | 227109-5 | SPUR GEAR 51 | 1 | PC. |
| 29 | | | 216022-2 | STEEL BALL 7.0 | 1 | PC. |
| 30 | | | 158574-6 | TOOL HOLDER COMPLETE | 1 | PC. |
| 31 | | | 267229-3 | FLAT WASHER 28 | 1 | PC. |
| 32 | | | 331769-8 | SLEEVE 9 | 1 | PC. |
| 33 | | | 324669-9 | IMPACT BOLT | 1 | PC. |
| 34 | | | 324402-9 | RING 10 | 1 | PC. |
| 35 | | | 421955-0 | CUSHION RING 13 | 1 | PC. |
| 36 | | | 324216-6 | O RING CASE | 1 | PC. |
| 37 | | | 213073-6 | O RING 9 | 1 | PC. |
| 38 | | | 233917-4 | RING SPRING 28 | 1 | PC. |
| 39 | | | 324214-0 | STRIKER | 1 | PC. |
| 40 | | | 213227-5 | O RING 16 | 1 | PC. |
| 41 | | | 318132-2 | PISTON CYLINDER | 1 | PC. |
| 42 | | | 267104-3 | FLAT WASHER 12 | 1 | PC. |
| 43 | | | 324215-8 | PISTON JOINT | 1 | PC. |
| 44 | | | 267104-3 | FLAT WASHER 12 | 1 | PC. |
| 45 | | | 213727-5 | O-RING 63 | 1 | PC. |
| 46 | | | 211012-0 | BALL BEARING 606ZZ | 1 | PC. |
| 47 | | | 961003-8 | RETAINING RING S-7 | 1 | PC. |
| 48 | | | 233343-7 | COMPRESSION SPRING 7 | 1 | PC. |
| 49 | | | 227179-4 | SPUR GEAR 10 | 1 | PC. |
| 50 | | | 324668-1 | CAM SHAFT | 1 | PC. |
| 51 | 1 | | 331768-0 | CLUTCH CAM (Claim EQ-118/99) | 1 | PC. |
| 51 | | | 331992-5 | CLUTCH CAM | 1 | PC. |
| 52 | | | 219014-0 | SWASH BEARING 10 | 1 | PC. |
| 53 | | | 226632-7 | HELICAL GEAR 25 | 1 | PC. |
| 54 | | | 266273-7 | HEX. SOCKET HEAD BOLT M4X12 | 2 | PC. |
| 55 | | | 345179-3 | BEARING RETAINER | 1 | PC. |
| 56 | | | 267234-0 | FLAT WASHER 8 | 1 | PC. |
| 57 | | | 211032-4 | BALL BEARING 608ZZ | 1 | PC. |
| 58 | | | 324212-4 | RING 8 | 1 | PC. |

| Item No | Type | Ref | Part No | Description | Qty | Unit |
|--------------------|------|------|-----------|---|-----|------|
| 59 | | | 961011-9 | STOP RING E-4 | 1 | PC. |
| 60 | | | 941102-2 | FLAT WASHER 5 | 1 | PC. |
| 61 | | | 233342-9 | COMPRESSION SPRING 6 | 1 | PC. |
| 62 | | | 345363-0 | CHANGE PLATE | 1 | PC. |
| 63 | 1 | | 158215-4 | INNER HOUSING COMPLETE | 1 | PC. |
| | 2 | | 141574-3 | INNER HOUSING COMPLETE | 1 | PC. |
| 64 | 1 | | 443126-9 | FELT (OLD) (F/TYPE 1 INNER HOUSING COM. #158215-4) | 1 | PC. |
| 65 | | | 213407-3 | O RING 26 | 1 | PC. |
| 66 | | | 213077-8 | OIL SEAL 10 | 1 | PC. |
| 67 | | | 210059-1 | BALL BEARING 6000DDW | 1 | PC. |
| 68 | | | 267213-8 | FLAT WASHER 10 | 1 | PC. |
| 69 | | | 240092-9 | FAN 64 | 1 | PC. |
| 70 | | | 519226-8 | ARMATURE ASS'Y 18V | 1 | PC. |
| | | INC. | | Item No. 67-69, 71, 72 | 1 | PC. |
| 71 | | | 253823-7 | FLAT WASHER 7 | 1 | PC. |
| 72 | | | 210023-2 | BALL BEARING 627DDW | 1 | PC. |
| 73 | | | 267816-8 | WAVE WASHER 15 | 1 | PC. |
| 74 | | | 865285-3 | BHR202 NAME PLATE | 1 | PC. |
| 75 | | | 188566-1 | HOUSING SET | 1 | SET |
| 76 | | | 638020-0 | YOKE UNIT | 1 | PC. |
| 77 | | | 643834-4 | BRUSH HOLDER | 1 | PC. |
| 78 | | | 643835-2 | BRUSH HOLDER | 1 | PC. |
| 79 | | | 266326-2 | TAPPING SCREW 4X18 | 2 | PC. |
| 80 | | | 911006-2 | PAN HEAD SCREW M3X8 | 1 | PC. |
| 81 | | | 689070-8 | HEAT SINK | 1 | PC. |
| 83 | | | 424128-4 | HOLDER CAP COVER | 2 | PC. |
| 84 | | | 643829-7 | BRUSH HOLDER CAP | 2 | PC. |
| 85 | 1 | | 194435-6 | CARBON BRUSH CB-441 2PC/SET (W/O ORIGIN) - N/L/A | 1 | SET |
| | 2 | | 195022-4 | CARBON BRUSH CB-441, 2PCS/SET, W/ORIGIN | 1 | SET |
| 86 | | | 424111-1 | SWITCH COVER | 1 | PC. |
| 87 | | | 450615-7 | F/R CHANGE LEVER | 1 | PC. |
| 88 | 1 | | 650578-9 | * SWITCH TG553FSB-6 | 1 | PC. |
| | 2 | | 638883-4 | * SWITCH UNIT | 1 | PC. |
| 89 | | | 631792-6 | LIGHT CIRCUIT | 1 | PC. |
| 90 | | | 266326-2 | TAPPING SCREW 4X18 | 7 | PC. |
| 91 | 1 | | 643812-4 | TERMINAL, BLACK | 1 | PC. |
| 91 | 2 | | 643838-6 | * TERMINAL (TYPE1# 643812-4) | 1 | PC. |
| | 3 | | 643859-8 | * TERMINAL | 1 | PC. |
| 92 | 1 | | 188453-4 | * BATTERY HOUSING SET | 1 | SET |
| | | INC. | 263005-3 | * RUBBER PIN 6 | 2 | PC. |
| | 2 | | 187212-3 | * BATTERY HOUSING SET | 1 | SET |
| | | INC. | 263005-3 | * RUBBER PIN 6 | 2 | PC. |
| 93 | | | 263036-2 | RUBBER PIN 5 | 1 | PC. |
| 94 | | | 268184-2 | PIN 1.5 | 1 | PC. |
| 96 | | | 266326-2 | TAPPING SCREW 4X18 | 2 | PC. |
| 97 | | | 424042-4 | CUSHION RUBBER | 1 | PC. |
| 98 | | | 424026-2 | CUSHION | 1 | PC. |
| 99 | | | 424042-4 | CUSHION RUBBER | 1 | PC. |
| 100 | | | 652045-0 | +PAN HEAD SCREW M3.5X5 | 2 | PC. |
| ACCESSORIES | | | | - See catalogue or visit www.makita.ca for more accessories information - | | |
| A01 | | | 324219-0 | DEPTH GAUGE | 1 | PC. |
| A02 | | | 194205-3 | 18V LI-ION BATTERY BL1830 | 2 | PC. |
| | | | 194230-4 | 18V LI-ION BATTERY BL1830, 2/PK | 1 | PK |
| A03 | | | 450128-8 | BATTERY COVER | 1 | PC. |
| A04 | 1 | | DC18RA | CHARGER DC18RA | 1 | PC. |
| | 2 | | DC18RC | CHARGER DC18RC | 1 | PC. |
| | | | DC18SE | 12V AUTOMOTIVE CHARGER DC18SE | 1 | PC. |
| | | | DC18RAKIT | CHARGER+BATTERY(DC18RA+BL1830) | 1 | |

| Item No | Type | Ref | Part No | Description | Qty | Unit |
|---------|------|------|----------|--|-----|------|
| A05 | 1 | | 824861-2 | PLASTIC CARRYING CASE | 1 | PC. |
| | | INC. | 163455-1 | LATCH | 2 | PC. |
| | 2 | | 141642-2 | PLASTIC CASE COMPLETE | 1 | PC. |
| | | INC. | 163455-1 | LATCH | 2 | PC. |
| A06 | | | 122573-4 | CHUCK ADAPTER ASSY F/SLIDE CHUCK - N/L/A | 1 | PC. |
| A07 | | | 122574-2 | 1/2" DRILL CHUCK ASS'Y(W/SDS-PLUS CHUCK ADAPTOR) | 1 | PC. |
| | 1 | INC. | 751099-5 | CHUCK ADAPTER (TYPE1) | 1 | PC. |
| | 2 | INC. | 751106-4 | CHUCK ADAPTER (TYPE2) | 1 | PC. |
| | | INC. | 251425-3 | FLAT HEAD SCREW M6x22 | 1 | PC. |
| A08 | | | 192664-5 | 1/2" KEYLESS DRILL CHUCK | 1 | PC. |
| A09 | | | 181573-3 | MAKITA GREASE NO.2 (100G) F/REPAIR - N/L/A | 1 | PC. |
| A10 | | | 183126-4 | GREASE VESSEL F/BIT | 1 | PC. |
| | | | 194683-7 | GREASE VESSEL SET, 100CC, PUMP TYPE, FOR BIT | 1 | PC. |
| A11 | | | 421342-3 | DUST CUP 5 | 1 | PC. |
| A12 | | | 421664-1 | DUST CUP 9 | 1 | PC. |
| A13 | | | 763432-9 | CHUCK KEY S13 | 1 | PC. |
| A14 | | | 765009-6 | BLOW-OUT BULB 64 | 1 | PC. |
| A15 | | | 192278-0 | HOSE COMPLETE 28-1.5 | 1 | PC. |
| A16 | | | 192349-3 | JOINT 25 (Not for Sale, Use Sales # P-80024) | 1 | PC. |
| A16 | | | P-80024 | JOINT 25 | 1 | PC. |
| A17 | | | 256815-5 | ROD 15 | 1 | PC. |
| A18 | | | 343411-9 | CUTTER | 1 | PC. |
| A19 | 1 | | 188582-3 | HAMMER SERVICE KIT SET (TYPE 1) | 1 | SET |
| | | INC. | 194435-6 | CARBON BRUSH CB-441 2PC/SET (W/O ORIGIN) - N/L/A | 1 | SET |
| | | INC. | 286263-4 | CAP 35 | 1 | PC. |
| | | INC. | 216022-2 | STEEL BALL 7.0 | 1 | PC. |
| | | INC. | 421955-0 | CUSHION RING 13 | 1 | PC. |
| | | INC. | 213073-6 | O RING 9 | 1 | PC. |
| | | INC. | 233917-4 | RING SPRING 28 | 1 | PC. |
| | | INC. | 213227-5 | O RING 16 | 1 | PC. |
| | | INC. | 181490-7 | HAMMER GREASE 30G(N/A, USE A-90582) | 1 | PC. |
| | | INC. | A-90582 | MAKITA GREASE R NO.00 30CC (1OZ)(OLD# 181490-7) | 1 | PC. |
| A19 | 2 | | 195193-7 | HAMMER SERVICE KIT SET (TYPE 2) | 1 | SET |
| | | INC. | 194435-6 | CARBON BRUSH CB-441 2PC/SET (W/O ORIGIN) - N/L/A | 1 | SET |
| | | INC. | 195022-4 | CARBON BRUSH CB-441, 2PCS/SET, W/ORIGIN | 1 | SET |
| | | INC. | 286263-4 | CAP 35 | 1 | PC. |
| | | INC. | 216022-2 | STEEL BALL 7.0 | 1 | PC. |
| | | INC. | 421955-0 | CUSHION RING 13 | 1 | PC. |
| | | INC. | 213073-6 | O RING 9 | 1 | PC. |
| | | INC. | 233917-4 | RING SPRING 28 | 1 | PC. |
| | | INC. | 213227-5 | O RING 16 | 1 | PC. |
| | | INC. | 195127-0 | MAKITA GREASE RB NO.00 30G | 1 | PC. |
| A20 | | | 256806-6 | ROD 10 F/ CORE BIT | 1 | PC. |
| A21 | 1 | | 122881-3 | TOOL HOLDER ASS'Y | 1 | PC. |
| A21 | 2 | | 123100-0 | TOOL HOLDER ASS'Y | 1 | PC. |
| | | INC. | | Item No. 25-28,30,32-38 | 1 | PC. |
| A22 | | | 122823-7 | 1/2" KEYLESS DRILL CHUCK ATTACHMENT | 1 | PC. |
| | | INC. | 192892-2 | 1/2" KEYLESS DRILL CHUCK | 1 | PC. |
| | | INC. | 122573-4 | CHUCK ADAPTOR ASSY - NLA | 1 | PC. |
| | | INC. | 751106-4 | CHUCK ADAPTOR | 1 | PC. |
| | | INC. | 251425-3 | - FLAT HEAD SCREW M6X22 | 1 | PC. |

SERVICE CHANGES**1. Changes on Switch, Terminal and Battery Hous** (T/I# 84907) (T/I# 92349)

| Item No. | Description | Type 1 | Type 2 | Type 3 |
|----------|---------------------|----------|----------|----------|
| 88 | Switch | | 650587-8 | 638883-4 |
| 91 | Terminal | 643812-4 | 643838-6 | 643859-8 |
| 92 | Battery Housing Set | | 188453-4 | 187212-3 |

Above parts are completely interchangeable as a set.

Service Note:

Use new parts for repair of the model manufactured on or after October 2011 with using Yellow lead wire between Switch and Terminal.

Use current parts for repair of the model manufactured before October 2011 without using Yellow lead wire between Switch and Terminal.

**** See Technical Information #92349 for Wiring Diagram Change**